



Keeping the **balance** ...

## ◆ INCLINATION SENSOR

Made in Germany

... **precisely**

detected



- Independent evaluation of two axes at the same time
- Measuring range  $\pm 60^\circ$
- Teach-in for zero position
- Two analog outputs
- Durable metal casing
- High protection class

# INCLINATION SENSOR

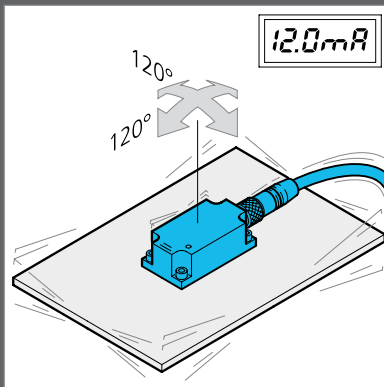
## Change of the angle

precisely detected

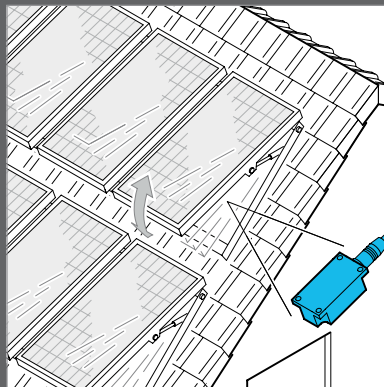
The **NS 60 ...** inclination sensor from di-soric is designed to reliably detect changes in angle. The detection range of 120°, the separate evaluation of the x and y axes

and the robust metal housing make this a versatile piece of equipment.

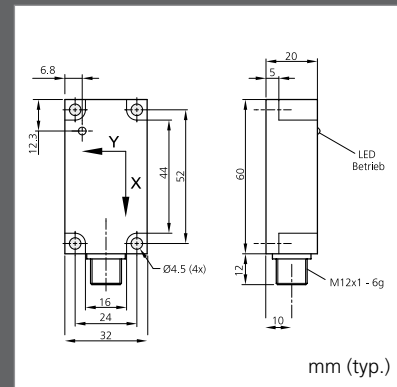
**Thanks to IP 67 protection, the sensor can even be used outdoors.**



Two linearised analog outputs



Automated adjustment of solar modules



Dimensional drawing

© di-soric | Subject to change | Dated 10/10 | FL\_015.1010e

### Technical data (typ.)

|                                     |   |                  |
|-------------------------------------|---|------------------|
| Detection area                      | <b>+20°C, 24 VDC</b>  |                  |
| Service voltage                     | ±60° per axis   |                  |
| Internal power consumption          | 12 ... 30 VDC   |                  |
| Inverse polarity protection present | <25 mA plus 2x20 mA under load                                    |                  |
| Analog outputs                      | 0 ... 10V (2x)  | 4 ... 20 mA (2x) |
| Resolution                          | present (on all connection cables)                                |                  |
| Reproducibility                     | 0,3°  |                  |
| Shock resistance                    | 0,5°  |                  |
| Cross-sensitivity to the other axis | <30g  |                  |
| Remote teach entry                  | ±3 %  |                  |
| Readiness delay                     | UB (>6V) = start teach-in process immediately, open = normal mode |                  |
| Ambient temperature                 | <300 ms   |                  |
| Protection class                    | -25 ... +70 °C  |                  |
| Protection degree                   | IP 67   |                  |
| Casing material                     | III, operation on protective low voltage                          |                  |
|                                     | Aluminium, anodized   |                  |

### Purchase order table

|                                      | Model                    |
|--------------------------------------|--------------------------|
| 0 ... 10V, linearised min. 100.000 Ω | <b>NS 60 M 60XY-U-B5</b> |
| 4 ... 20mA, linearised max. 250 Ω    | <b>NS 60 M 60XY-I-B5</b> |
| Connecting cable (sep. data-sheet)   | <b>VK .../5</b>          |

You will find more equipment from these product ranges at [www.di-soric.com](http://www.di-soric.com)