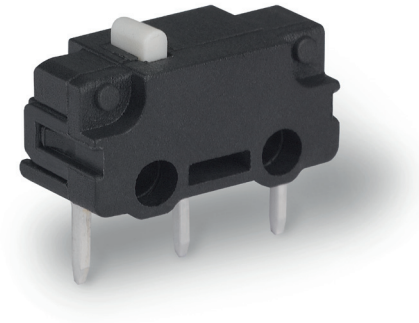


X6



| | |
|-----------------|--|
| Characteristics | <ul style="list-style-type: none"> ■ small size ■ high current ■ PCB mounting ■ compliant to glow wire test IEC 60335-1, 4.ed. |
| Rating | Up to 250 VAC, 3 A |
| Dimensions (mm) | 12.8 × 6.5 × 5.8 |
| Actuator | <ul style="list-style-type: none"> ■ plunger ■ plain lever ■ simulated roller lever/cam follower |
| Approvals | cULus, ENEC |

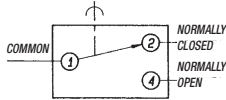
Preferred Range

| Ordering Reference | Actuating Force | | Sealing | Operating pos. | | Terminal | Circuit | Actuator | Contacts | Electrical rating |
|--------------------|-----------------|-------|---------|----------------|------|----------|---------|--------------|----------|-------------------|
| | (N) | (ozf) | | (mm) | (in) | | | | | |
| X6G303K1AA | 1,50 | 5,40 | IP40 | 5,5 | 0,22 | PCB | CO | Plunger | AgNi | 250 VAC, 3 A |
| X6G303K1AAJ1 | 0,50 | 1,80 | IP40 | 7,2 | 0,28 | PCB | CO | Plain lever | AgNi | 250 VAC, 3 A |
| X6G303K1AALO | 0,65 | 2,34 | IP40 | 9,6 | 0,38 | PCB | CO | Cam follower | AgNi | 250 VAC, 3 A |

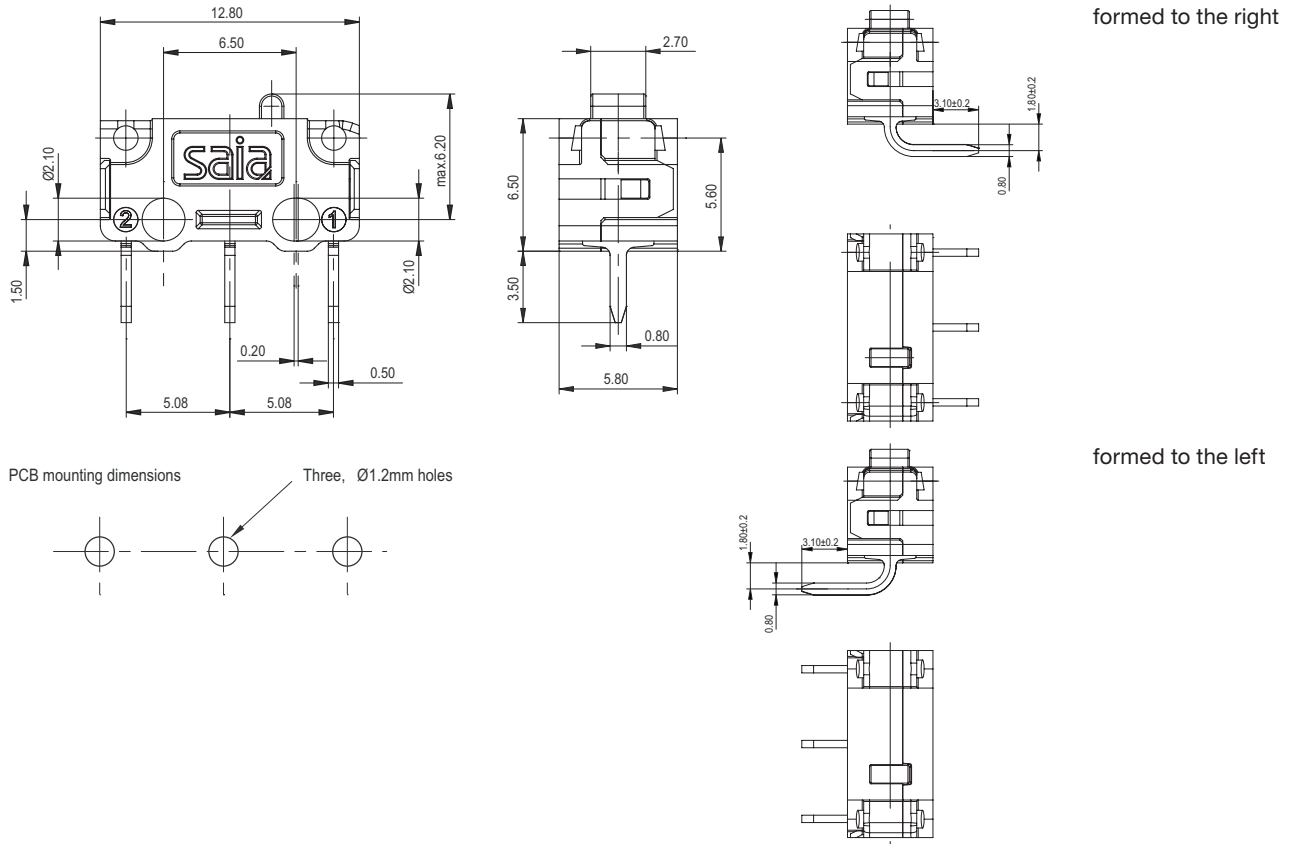
Specifications

| | |
|----------------------|---|
| Housing | Frame-retardant glass-fibre reinforced nylon |
| Plunger | Polyacetal (POM) |
| Mechanism | Snap-action, coil spring mechanism with stainless steel spring. Single-pole change-over contact |
| Contacts | AgNi |
| Terminals | Brass, silver flashed |
| Temperature range °C | -40°C bis +85°C |
| Mechanical life | 10 ⁶ cycles minimum (impact-free actuation) |
| Protection | Enclosure IP40 |
| Mounting | PCB, through hole mounting |

Circuit diagram



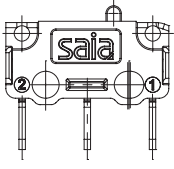
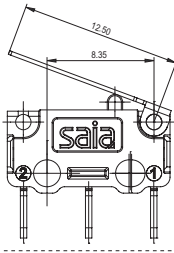
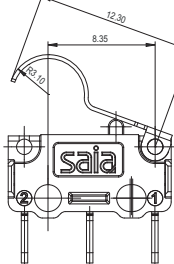
Dimensions



Recommended maximum electrical ratings

| Voltage (max) | Resistive load (A) | Approvals |
|---------------|--------------------|---|
| 250 VAC | 3 | UL1054/CSA22.2 No. 55, 6,000 operations 60° C |
| 250 VAC | 2 | EN61058.1 T55 10,000 operations (Normally open or normally closed only) |
| 250 VAC | 0,5 | EN61058.1 T55 50,000 operations (Change-over) |
| 0-15 VDC | to be advised | General rating, 50,000 operations |
| 15-30 VDC | to be advised | General rating, 50,000 operations |
| 5 VDC | 0,01 | General rating, 1 million operations |

Operating Characteristics

| Actuator | Actuating Force Maximum | | Release Force Minimum | | Free Position | | Operating Position Maximum | | Movement Differential Maximum | | Total travel Position * | |
|--|-------------------------|-------|-----------------------|-------|---------------|------|----------------------------|--------------|-------------------------------|------|-------------------------|------|
| | (N) | (ozf) | (N) | (ozf) | (mm) | (in) | (mm) | (in) | (mm) | (in) | (mm) | (in) |
| Plunger  | 1,5 | 5,4 | 0,2 | 0,72 | 6,2 | 0,24 | 5,5 ± 0,3 | 0,22 ± 0,012 | 0,2 | 0,01 | 5 | 0,02 |
| J1-Lever  Width of lever 2,7 | 0,5 | 1,8 | 0,05 | 0,18 | 9,6 | 0,38 | 7,2 ± 1,5 | 0,28 ± 0,06 | 0,8 | 0,03 | 5,3 | 0,21 |
| L0-Lever  Width of lever 2,7 | 0,65 | 2,34 | 0,1 | 0,36 | 11,2 | 0,44 | 9,6 ± 1,5 | 0,38 ± 0,06 | 0,8 | 0,03 | 8,1 | 0,32 |

Datum for Free Position and Operating Position: mounting holes.

* Flush with case. The case should not be used as an end stop.

Ordering Reference

| | | | | | | | | | | | | |
|-------------------|--------------------------|--|---------------------|--|--|--|--|--|--|--|--|--|
| Basic type | X6 | Example: X6 G 3 03 K 1 A/A J1 1 | | | | | | | | | | |
| Operating Force | G | Standard 1,5 N | | | | | | | | | | |
| Circuit | 3 | Change-over | | | | | | | | | | |
| | 4 | Normally closed | | | | | | | | | | |
| | 5 | Normally open | | | | | | | | | | |
| Terminals | 03 | PCB | 0.8 x 0.5 x 3.5 | | | | | | | | | |
| | 09 | PCB | 0.8 x 0.5 x 7.1 | | | | | | | | | |
| | 10 | PCB | formed to the left | | | | | | | | | |
| | 11 | PCB | formed to the right | | | | | | | | | |
| Case/Lid | K | Flame-retardant glass-fibre reinforced nylon | | | | | | | | | | |
| Contact | 1 | AgNi | | | | | | | | | | |
| Approvals | A | cUL _{US} | | | | | | | | | | |
| | A | ENEC | | | | | | | | | | |
| Actuators | No symbol, without lever | | | | | | | | | | | |
| | J1 | Plain lever 12.3 mm | | | | | | | | | | |
| | L0 | Cam follower lever 12.3 mm | | | | | | | | | | |
| Actuator position | Lever above terminal 1 | | | | | | | | | | | |
| | 2 | Lever above terminal 2 | | | | | | | | | | |
| Special Features | /□□□□ | Saia specialise in customer specific solutions. Additional product variants are available or can be provided. If your requirements cannot be satisfied from the options listed, please contact us. | | | | | | | | | | |